

ADAPTIVE RECOGNITION

TRAFFIC MONITORING CAMERAS

Install Guide

Einar 5



1. EINAR 5 DATASHEET

EINAR 5-IR-POE+	
Camera	
Sensor	Aptina 5MP
Sensor size	1/2.5"
Light sensitivity	Day/Night/IR: 0,65 lux / 0,01 / 0 lux
Shutter	1/6s - 1/20.000s
Day/Night mode	True
IR LED	4 high power IR LEDs, 850nm
WDR mode	True (120dB)
Compression	
Video compression	H.264 SVC (Hierarchical P), H.265, MJPEG
Bit rate	32Kbps - 18Mbps
Video stream	Intellio Video Codec, Dual streaming via RTSP
Network	
Sabotage	Lost connection signal, Lost video signal, IP address conflict signal
Protocols	TCP/IP, DHCP, DNS, SNMP, HTTP, HTTPS, ONVIF Profile S
Security	Camera side username and password
Interface	
Ethernet	10BaseT/100BaseTX, RJ-45
Storage	uSD card
Reset button	Factory reset (IP address reset)
General	
Design	IP67 metal housing
Typical installation height	0.5 – 10 meters
Operating temp. range	-30 - +55 °C
Power requirement	POE+ (802.3 at)
Power consumption	Max. 17W, tip. 5 W
Dimensions	165x124x100 mm (LxWxH) – without bracket
Weight	1540g (with bracket)
Certification	CE: EN 55022, EN 55024, RoHS, FCC

* Please note that the camera will not operate until its internal temperature reaches + 10 ° C, which can be up to 5 minutes at -25 ° C.

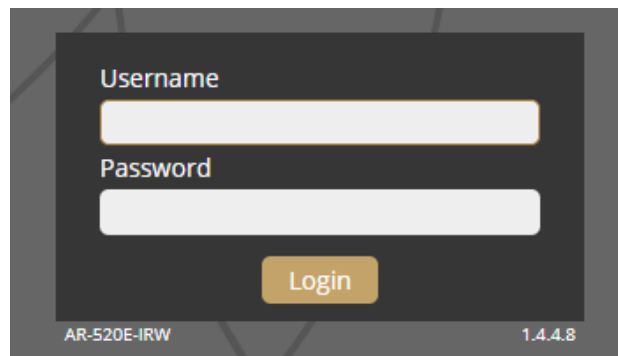
2. ACCESSING THE WEB INTERFACE

1. Start a browser and enter the camera IP address into the address bar of the browser.
2. Type the username and the password on the displayed login interface and click on **[Login]**.

The default user account is the following:

Username: admin

Password: admin



3. After signing in, the web interface of the camera is displayed on which the required settings can be performed.

Default IP Address

According to the factory setting of the Einar cameras, they request IP address from the DHCP server. The DHCP server lists the IP addresses of the DHCP clients, thus the received IP addresses belonging to the cameras connected to the network can be seen on that interface.

Finding Cameras

The cameras on the network can be found by using the Einar DeviceTool. During running, the program continuously looks for detectible cameras on the network and displays them in a list where the current IP address of the camera can be read. If the cameras still do not appear, then make sure that the firewall does not block the multicast protocol on the network and the cameras and the PC logically are in the same network range.

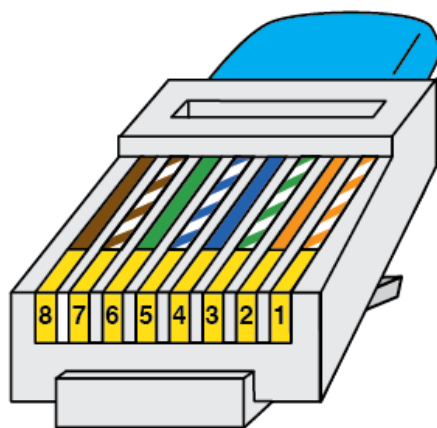
3. CABLE LAYOUTS

Pin#	Data		POE (802.3at/af)
	10/100BaseTX	1000BaseT	
1	TX+	TP1+	A1
2	TX-	TP1-	A1
3	RX+	TP2+	A2
4	-	TP3+	B1
5	-	TP3-	B1
6	RX-	TP2-	A2
7	-	TP4+	B2
8	-	TP4-	B2

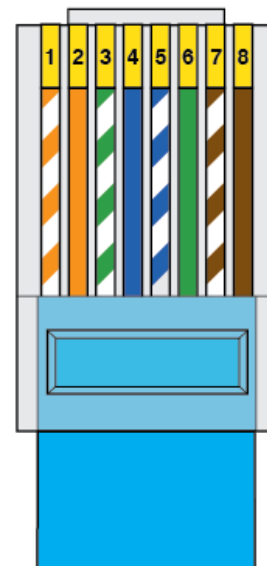
Connector allocation standard: EIA / TIA-568B (straight cable pinout)

Due to the POE power supply, all 4 pairs of wires must be connected even with a 10 / 100BaseTX data connection!

RJ45 PINOUT T-568B



- 1 | White/Orange
- 2 | Orange
- 3 | White/Green
- 4 | Blue
- 5 | White/Blue
- 6 | Green
- 7 | White/Brown
- 8 | Brown

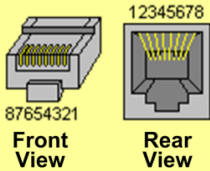


Networking – Cable Configuration

Network Cabling and Signal Identification for Ethernet LAN Standards

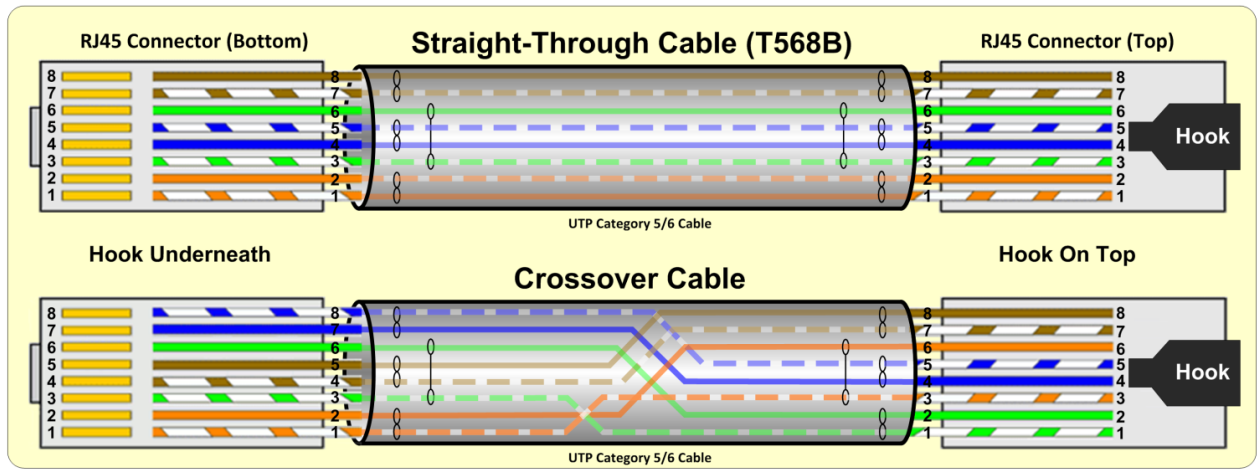
Note: GigaBit Ethernet Requires All 4 Pairs.

RJ45 3D View



RJ45 - Pinout, Wire Pair Color Coding, and Signal Identification

Pin	T568A	T568B	Signal 10/100BaseTx	Signal 1000BaseT
1	Wht/Grn	Wht/Org	Tx+	TP1+
2	Grn	Org	Tx-	TP1-
3	Wht/Org	Wht/Grn	Rx+	TP2+
4	Blu	Blu	Unused	TP3-
5	Wht/Blu	Wht/Blu	Unused	TP3+
6	Org	Grn	Rx-	TP2-
7	Wht/Brn	Wht/Brn	Unused	TP4+
8	Brn	Brn	Unused	TP4-



NST - 2011

4. INSTALLATION INSTRUCTIONS

Tools required

- 4 mm Allen key
- TX10 screwdriver

Contents of the box

- Installation instructions
- Mountable, IP67 protected RJ45 connector housing
- Eyelet lugs for grounding

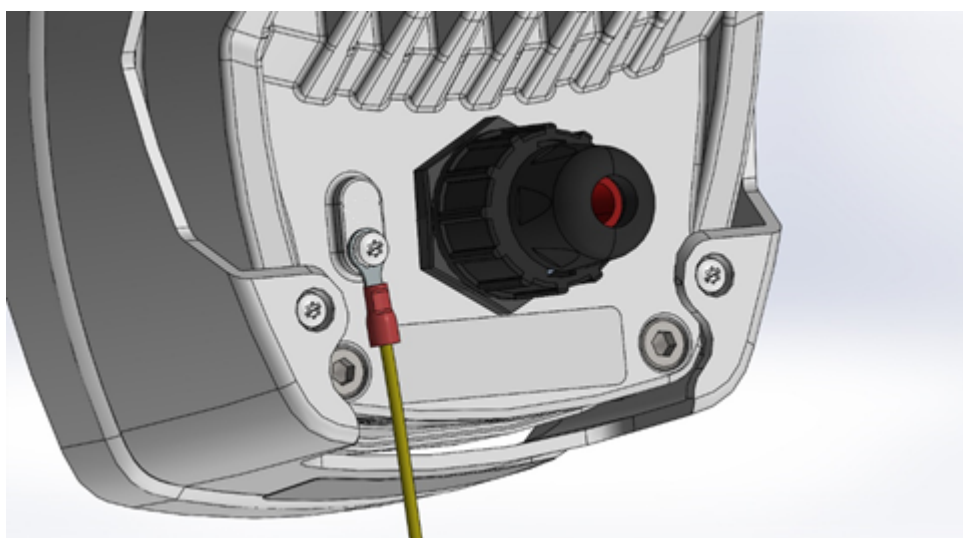
Mounting the camera

The camera is mounted using 3 mounting holes with a diameter of 6 mm on the console. When mounting, take into consideration the weight of the camera (1540g), always happen with the appropriate fittings for the given wall structure.

Weight (base camera)	1200g
Weight (wall bracket)	340g

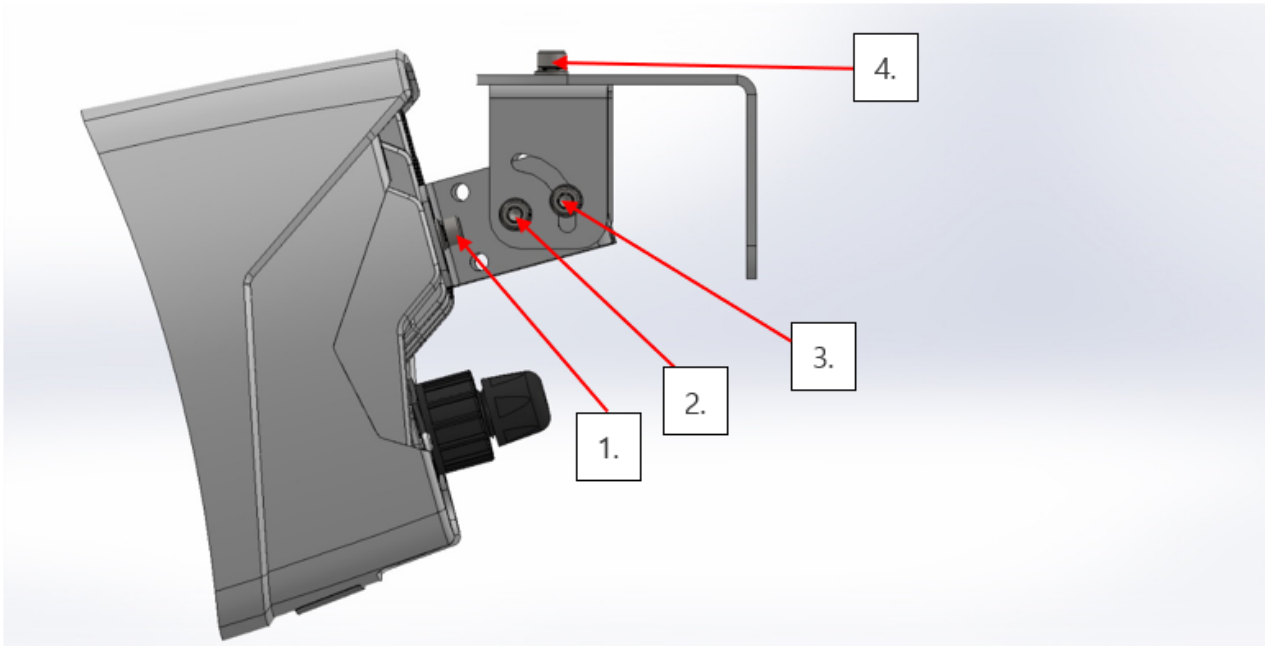
Ground the camera

Grounding should be done at the ground point on the camera with the bearing provided as it is shown on the picture. Make sure that the metallic contact is secured at the ground point (e.g. a metal pole) and that the ground point itself is properly led to the ground. The STP / FTP cable is only allowed on the remote side (patch panel, PoE switch, server) and must be grounded.



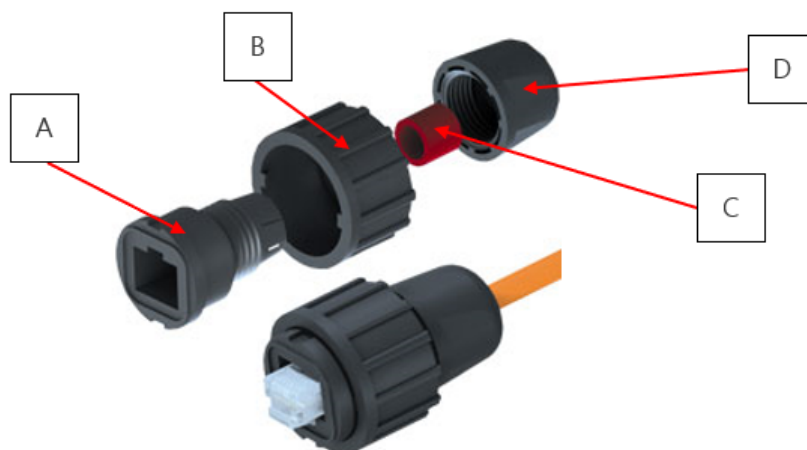
Adjust the view direction of the camera

Loosen the screws marked 2, 3 (tilt) and 4 (turn) by using a 4 mm Allen key, while holding the camera so that it does not “knock down”, then set it to the desired position. The horizontal direction can be adjusted by loosening screw 1. If the device is in the correct direction, tighten all screws on the bracket.



Assemble the waterproof cover of the RJ45 connector

The enclosed IP67 shielded RJ45 connector housing must be assembled as shown. **Before** damaging the RJ45 insert, the components of the connector housing must be pulled onto the cable in the order shown! The crimped RJ45 insert is placed in the housing **A**. The fastener **B** is pulled onto the housing **A**, and then the sealing insert **C** is pushed all the way between the clamping arms of the housing **A** on the cable. The seal is then clamped to the cable with the clamping part **D**.



Disconnect the connector

The connector can only be disassembled with the cable connected to the device, otherwise the mounting tab of the RJ45 insert will not be accessible. First loosen **D**, then pull back on the cable, then release **B** so we can pull parts **A** and **C** off the cable. The RJ45 insert then remains in the connector thanks to its own retaining tab and can be removed by pressing it.

Adjust the zoom and focus

The camera lens can be remotely controlled, so zoom and focus can be adjusted from the camera web interface or management software (from IVS 2.8).

Once the angle of view has been adjusted remotely, the autofocus function automatically adjusts the focus after a few seconds, which can be adjusted as needed in both the web interface and the management software.

For a detailed description of the lens remote control, see the description of the camera's web interface and the Intellio Video System's user description.

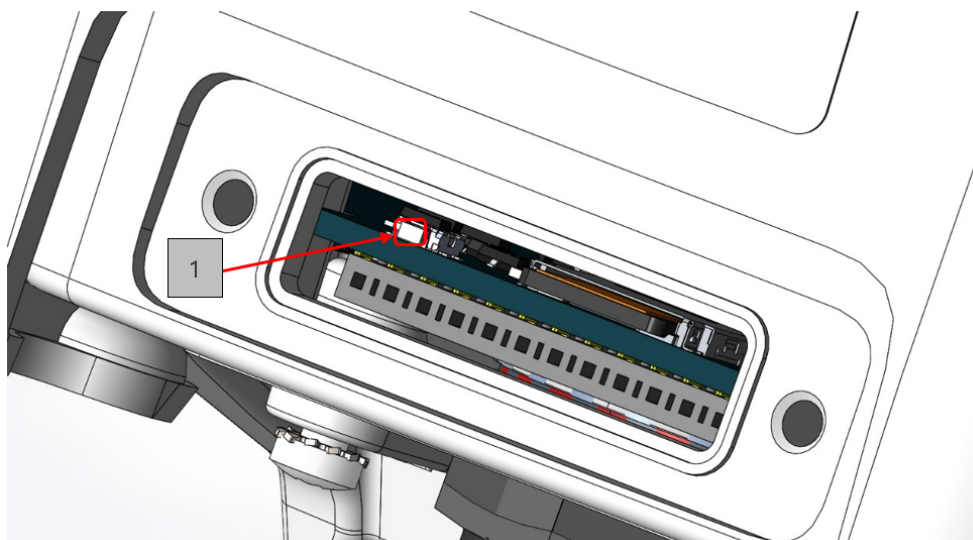
Restore factory defaults

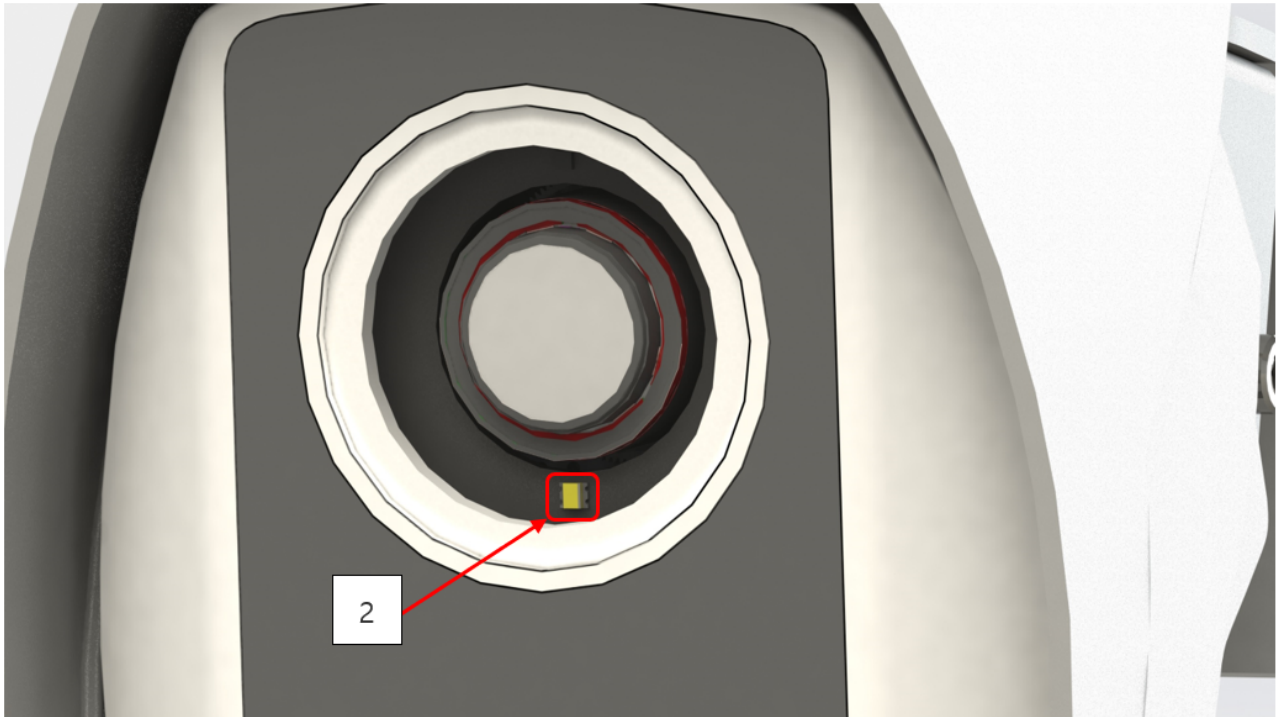
If you have already set a fixed IP address, but later want to use the camera on a network with dynamic addressing, you will not be able to find the camera. In this case, you can reset the camera to obtain an IP address from DHCP by pressing the **reset button (1)** on the camera. Press and hold the reset button until the **status LED (2)** lights up continuously (approx. 10 s) and then release the button.

To access the reset button, you must first remove the service port cover with a TX10 screwdriver.

Perform the operation in a clean, low-humidity room!

Further disassembly of the camera is prohibited, as this may void the warranty and damage the watertight insulation!

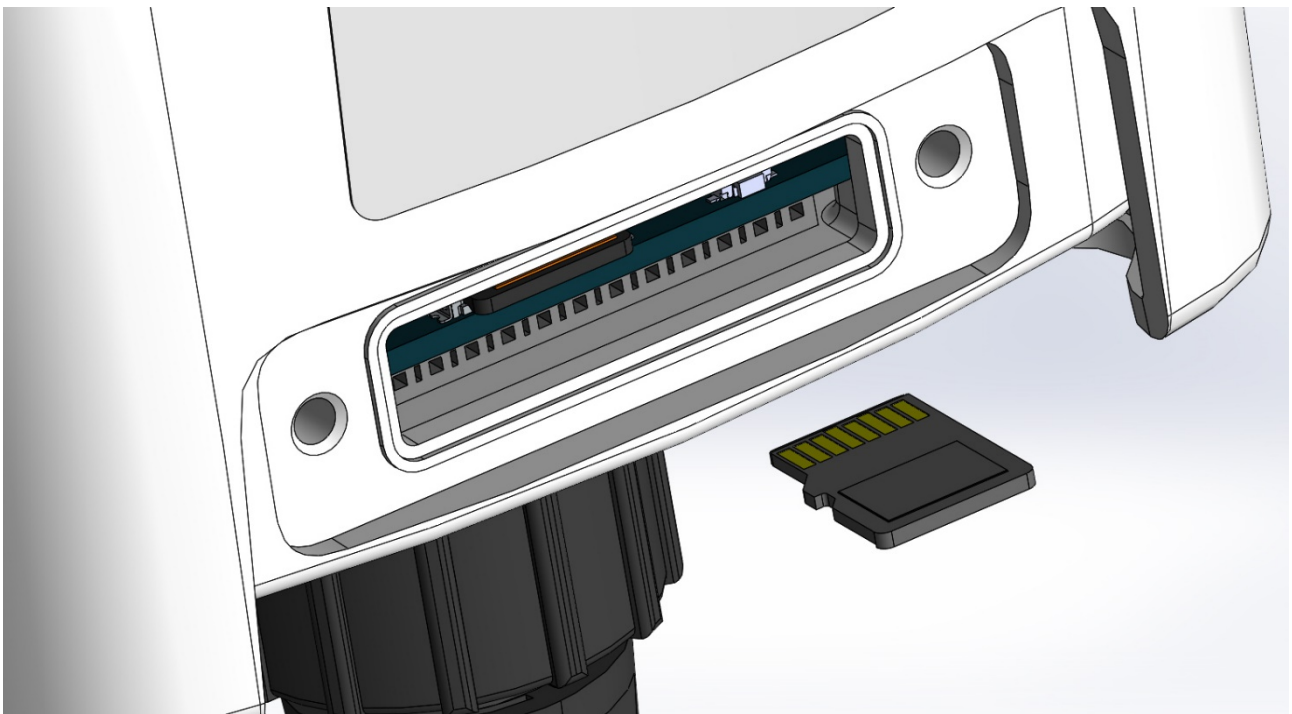




Insert the μ SD card

You can insert a μ SD card into the device by removing the service port cover as shown in the attached figure. The use of the card is described in the user manual.

Perform the operation in a clean, low-humidity room!



CONTACT INFORMATION

Headquarters:

Adaptive Recognition, Hungary Inc.
Alkotás utca 41 HU-
1123 Budapest Hungary
Phone: +36 1 201 9650
Fax: +36 1 201 9651
Web: adaptiverecognition.com

Service Address:

Adaptive Recognition, Hungary Inc.
Ipari Park HRSZ1113/1 HU
2074 Perbál Hungary
Phone: +36 1 2019650
E-mail: rmarequest@adaptiverecognition.com

Adaptive Recognition Hungary Technical Support System (ATSS) is designed to provide you the fastest and most proficient assistance, so you can quickly get back to business.

Information regarding hardware, software, manuals and FAQ are easily accessible for customers who previously registered to enter the dedicated ATSS site. Besides offering assistance, the site is also designed to provide maximum protection while managing your business information and technical solutions utilized.

New User

If this is your first online support request, please create an account by clicking on this [link](#).

Returning User

All registered ATSS customers receive a personal access link via e-mail. If you previously received a confirmation message from ATSS, it contains the embedded link that allows you to securely enter the support site.

If you need assistance with login or registration, please contact atsshhelp@adaptiverecognition.com for help.

